

**SCHEMATIC DIAGRAMS
AND
PARTS LIST**



MODEL 3017A

SWEEP/FUNCTION GENERATOR

PARTS LIST

SCHEMATIC SYMBOL	DESCRIPTION	B & K-PRECISION PART NUMBER
-----------------------------	--------------------	--

RESISTORS

Unlisted resistors are $\pm 5\%$, 1/4 W. See schematic diagram for value.

R202, 204	100 k Ω $\pm 1\%$, 1/4 W Metal Film	015-144-1-003
R206	33.2 k Ω $\pm 1\%$, 1/4 W Metal Film	015-144-3-322
R207	100 k Ω $\pm 1\%$, 1/4 W Metal Film	015-144-1-003
R208A, 208B	1 k Ω $\pm 1\%$, 1/4 W Metal Film	015-144-1-001
R209A, 209B	100 k Ω $\pm 1\%$, 1/4 W Metal Film	015-144-1-003
R210	49.9 k Ω $\pm 1\%$, 1/4 W Metal Film	015-144-4-992
R213	100 k Ω $\pm 1\%$, 1/4 W Metal Film	015-144-1-003
R214A, 214B	3.01 k Ω $\pm 1\%$, 1/4 W Metal Film	015-144-3-011
R216	4.99 k Ω $\pm 1\%$, 1/4 W Metal Film	015-144-4-991
R217A	348 Ω $\pm 1\%$, 1/4 W Metal Film	015-144-3-480
R217	7.32 k Ω $\pm 1\%$, 1/4 W Metal Film	015-144-7-321
R218	75 k Ω $\pm 1\%$, 1/4 W Metal Film	015-144-7-502
R219, 220	750 k Ω $\pm 1\%$, 1/4 W Metal Film	015-144-7-503
R221	75 k Ω $\pm 1\%$, 1/4 W Metal Film	015-144-7-502
R222A	348 Ω $\pm 1\%$, 1/4 W Metal Film	015-144-3-480
R222	7.32 k Ω $\pm 1\%$, 1/4 W Metal Film	015-144-7-321
R223	4.99 k Ω $\pm 1\%$, 1/4 W Metal Film	015-144-4-991
R304, 305	1 k Ω $\pm 1\%$, 1/4 W Metal Film	015-144-1-001
R306, 307	4.02 k Ω $\pm 1\%$, 1/4 W Metal Film	015-144-4-021
R308	2 k Ω $\pm 1\%$, 1/4 W Metal Film	015-144-2-001
R309	30.1 k Ω $\pm 1\%$, 1/4 W Metal Film	015-144-3-012
R310	10 k Ω $\pm 1\%$, 1/4 W Metal Film	015-144-1-002
R311	499 Ω $\pm 1\%$, 1/4 W Metal Film	015-144-4-990
R312, 313	13 k Ω $\pm 1\%$, 1/4 W Metal Film	015-144-1-302
R317, 318	10.5 k Ω $\pm 1\%$, 1/4 W Metal Film	015-144-1-052
R319	7.5 k Ω $\pm 1\%$, 1/4 W Metal Film	015-144-7-501
R401	49.9 Ω $\pm 1\%$, 1/4 W Metal Film	015-144-4-998
R402, 403	11.3 k Ω $\pm 1\%$, 1/4 W Metal Film	015-144-1-132
R404	309 Ω $\pm 1\%$, 1/4 W Metal Film	015-144-3-090
R405, 406	12.1 k Ω $\pm 1\%$, 1/4 W Metal Film	015-144-1-212
R407	200 Ω $\pm 1\%$, 1/4 W Metal Film	015-144-2-000
R408, 409	24.9 k Ω $\pm 1\%$, 1/4 W Metal Film	015-144-2-492
R410	127 Ω $\pm 1\%$, 1/4 W Metal Film	015-144-1-270
R412	63.4 Ω $\pm 1\%$, 1/4 W Metal Film	015-144-6-348
R502	2 k Ω $\pm 1\%$, 1/4 W Metal Film	015-144-2-001
R504	1.21 k Ω $\pm 1\%$, 1/4 W Metal Film	015-144-1-211
R506	2 k Ω $\pm 1\%$, 1/4 W Metal Film	015-144-2-001
R507	18.2 k Ω $\pm 1\%$, 1/4 W Metal Film	015-144-1-822

**COMPOSITE
499-402-9-001**

SCHEMATIC SYMBOL	DESCRIPTION	B & K-PRECISION PART NUMBER
RESISTORS (Continued)		
R508	174 Ω ±1%, 1/4 W Metal Film	015-144-1-740
R510	100 Ω ±1%, 1/4 W Metal Film	015-144-1-000
R511	274 Ω ±1%, 1/4 W Metal Film	015-144-2-740
R512	3.01 kΩ ±1%, 1/4 W Metal Film	015-144-3-011
R513	24.3 kΩ ±1%, 1/4 W Metal Film	015-144-2-432
R514	3.01 kΩ ±1%, 1/4 W Metal Film	015-144-3-011
R515, 518	47 Ω ±5%, 2 W Carbon Film	002-002-5-470
R519, 520	100 Ω ±1%, 1/2 W Metal Film	015-124-1-000
R521	499 Ω ±1%, 1/2 W Metal Film	015-124-4-990
R522	56.2 Ω ±1%, 1/2 W Metal Film	015-124-5-628
TH601, 602	Thermistor, 90 Ω	005-015-9-001
R611	100 Ω ±1%, 1/4 W Metal Film	015-144-1-000
R633	1.21 kΩ ±1%, 1/4 W Metal Film	015-144-1-211
SVR101, 102	470 Ω Trimmer Potentiometer	010-027-9-002
SVR201	22 kΩ Trimmer Potentiometer	010-027-9-006
SVR202, 203	10 kΩ Trimmer Potentiometer	010-026-9-004
SVR301	4.7 kΩ Trimmer Potentiometer	010-027-9-003
SVR302, 303	2.2 kΩ Trimmer Potentiometer	010-084-9-001
SVR304	1 kΩ Trimmer Potentiometer	010-027-9-004
SVR401	1 kΩ Trimmer Potentiometer	010-027-9-004
SVR503	10 kΩ Trimmer Potentiometer	010-026-9-004
SVR602	4.7 kΩ Trimmer Potentiometer	010-027-9-003
SVR603-605	10 kΩ Trimmer Potentiometer	010-026-9-004
SVR606	5 kΩ Multiturn Trimmer Potentiometer (FREQ SET; HI)	010-084-9-002
SVR607	470 Ω Trimmer Potentiometer	010-025-9-002
SVR608	10 kΩ Trimmer Potentiometer	010-026-9-004
SVR609	5 kΩ Multiturn Trimmer Potentiometer (FREQ SET; LO)	010-084-9-002
SVR611	4.7 kΩ Trimmer Potentiometer	010-027-9-003
SVR612	22 kΩ Trimmer Potentiometer	010-027-9-006
VR201	5 kΩ Potentiometer (Frequency Control)	008-846-9-004
VR202	20 kΩ Potentiometer w/ Switch (DUTY/INVert)	008-846-9-002
VR305	1 kΩ Potentiometer w/Switch (TTL/CMOS ADJust)	008-845-9-002
VR501	1 kΩ Potentiometer w/Switch (AMPL/-20 dB)	008-845-9-002
VR502	50 kΩ Potentiometer w/Switch (OFFSET/ADJ)	008-845-5-003
VR601	10 kΩ Potentiometer (SWEEP TIME)	008-846-9-001
CAPACITORS		
C101	1000 μF +80/-20%, 35 V Electrolytic	022-335-9-004
C103	1000 μF +80/-20%, 35 V Electrolytic	022-335-9-004
C105-108	47 μF +80/-20%, 25 V Electrolytic	022-328-9-001
C201	1 μF ±1%, 100 V Metalized Polyester	025-250-9-004
C202	100 pF ±5%, 50 V NP0 Disc	031-069-9-003
C203	0.001 μF ±1%, 100 V Metalized Polyester	025-304-9-001
C204	0.01 μF ±1%, 100 V Metalized Polyester	025-250-9-002
C205	0.1 μF ±1%, 100 V Metalized Polyester	025-250-9-003
C206-207	220 pF ± 5% 50 V Disc	020-386-9-001
C301	56 pF ±5%, 50 V NP0 Disc	031-069-9-005
C302, 303	0.047 μF +80/-20%, 25 V Disc	020-385-9-003
C305, 306	4.7 μF +80/-20%, 50 V Electrolytic	022-336-9-002
C307	0.1 μF +80/-20%, 12 V Disc	020-385-9-001
C308	220 μF +80/-20%, 25 V Electrolytic	022-336-9-001
C309	0.1 μF +80/-20%, 25 V Disc	020-386-9-004

SCHEMATIC SYMBOL	DESCRIPTION	B & K-PRECISION PART NUMBER
CAPACITORS (Continued)		
C310	470 pF ±5%, 50 V Disc	020-386-9-006
C311	56 pF ±5%, 50 V NP0 Disc	031-069-9-005
C401, 402	0.047 μF +80/-20%, 25 V Disc	020-385-9-003
C403, 404	39 pF ±5%, 50 V NP0 Disc	031-069-9-004
C405	5 pF ±1/2 pF, 50 V NP0 Disc	031-069-9-002
C501, 502	6.8 μF ±10%, 35 V Tantalum	027-076-9-001
C503, 504	0.047 μF +80/-20%, 25 V Disc	020-385-9-003
C505	4 pF ±1/2 pF, 50 V NP0 Disc	031-072-9-001
C506	220 pF ±5%, 50 V Disc	020-386-9-001
C510, 511	0.033 μF +80/-20%, 50 V Disc	020-386-9-005
C601, 602	220 μF +80/-20%, 25 V Electrolytic	022-336-9-001
C603	2.2 μF ±10%, 35 V Tantalum	027-074-9-001
C604	100 pF ±5%, 50 V NP0 Disc	031-069-9-003
C605, 606	500 pF ±5%, 50 V Disc	020-386-9-003
C607	300 pF ±5%, 50 V Disc	020-386-9-002
SVC201, 401	6-30 pF Trimmer Capacitor	028-094-9-002
SVC501	8-16 pF Trimmer Capacitor	028-093-9-001
TRANSISTORS & DIODES		
Q101	2SD313E NPN Silicon Transistor	176-104-9-003
Q102	TIP 32C PNP Silicon Transistor	172-080-9-001
Q201	2SC1815GR NPN Silicon Transistor	176-095-9-001
Q202, 203	2SA1015GR PNP Silicon Transistor	177-057-9-001
Q204	2SC1815GR NPN Silicon Transistor	176-095-9-001
Q301	2N5485 N-Channel Field-Effect Transistor	182-067-9-001
Q302, 303	2SA1015GR PNP Silicon Transistor	177-057-9-001
Q304, 305	2SC1815GR NPN Silicon Transistor	176-095-9-001
Q501, 502	2SC1923 NPN Silicon Transistor	176-193-9-001
Q503	2SA1015GR PNP Silicon Transistor	177-057-9-001
Q504	2SC1923 NPN Silicon Transistor	176-193-9-001
Q505	2N2219A NPN Silicon Transistor	172-045-9-001
Q506	2N2905A NPN Silicon Transistor	173-005-9-001
Q507-508	2SC1815GR NPN Silicon Transistor	176-095-9-001
Q601	2SA1015GR PNP Silicon Transistor	177-057-9-001
D101	LED (Red)	158-076-9-001
D201-208	1N4148 Silicon Diode	151-038-9-001
D301-327	1N4148 Silicon Diode	151-038-9-001
D503, 504	1N4148 Silicon Diode	151-038-9-001
D601, 602	1N4148 Silicon Diode	151-038-9-001
BD 101	Bridge Rectifier Assembly, 1 A	157-038-9-001
BD401-403	1N4148	151-038-9-001
ZD101, 102	5.6 V ±5%, 1/2 W Zener Diode	152-072-9-001
ZD301	5.6 V ±5%, 1/2 W Zener Diode	152-072-9-001
ZD302	5.1 V ±5%, 1/2 W Zener Diode	152-112-9-001
ZD401, 402	3.3 V ±5%, 1/2 W Zener Diode	152-158-9-001
ZD601	5.6 V ±5%, 1/2 W Zener Diode	152-072-9-001
INTEGRATED CIRCUITS		
U101, 102	741CP	307-018-9-001
U201, 202	741CP	307-018-9-001
U203, 204	LM308N	307-423-9-002
U301	CA3046	307-087-9-001
U302	4081	308-117-9-001
U303	7420N	307-033-9-001
U401	CA3030	307-423-9-001
U601	LM324N	307-306-9-002
U602	MC1458CP	307-046-9-001

**SCHEMATIC
SYMBOL**

DESCRIPTION

**B & K-PRECISION
PART NUMBER**

INTEGRATED CIRCUITS (Continued)

U603	CA3046	307-087-9-001
U604, 605	3140E	308-191-9-001

TRANSFORMERS & SWITCHES

	Power Transformer.....	065-245-9-001
S101	1-Station Pushbutton Switch (PWR)	088-152-9-002
S201	7-Station Pushbutton Switch Assembly (RANGE).....	088-152-9-001
S501	3-Station Pushbutton Switch Assembly (FUNCTION).....	088-151-9-002
S601, 602	2-Station Pushbutton Switch Assembly (LO/HI & CONT/VAR, LIN/LOG & AUTO/MAN)	088-152-9-003

MISCELLANEOUS

F101	0.3 A, 250 V 3AG Fuse (110/120 V operation) ..	196-303-0-300
	0.2 A, 250 V 3AG (220/240 V operation)....	196-303-0-200
	PC Fuse Clip (2 Required)	741-184-9-001
	Power Input Receptacle.....	770-031-9-001
	AC Line Cord.....	420-039-9-001
	BNC-to-Insulated Clips Test Cable	534-241-0-000
	BNC Connector.....	772-024-9-002
	Front Panel.....	255-278-9-001
	Rear Plate.....	262-081-9-001
	Bottom Case.....	271-483-9-001
	Top Case.....	271-482-9-001
	Handle	746-091-9-001
	Handle Insert	746-092-9-001
	Rubber Foot (4 Required)	381-188-9-001
	Bottom Screw, 3x50mm.....	634-201-9-001
	Knob (FREQUENCY).....	751-314-9-001
	Knob (DUTY, AMPL, etc).....	751-314-9-002
	Switch Button, Gray.....	384-090-9-001
	Switch Button, Black.....	384-135-9-001
	Switch Button, Red.....	384-079-9-003
	Instruction Manual	480-648-9-001

PARTS ORDERING INFORMATION

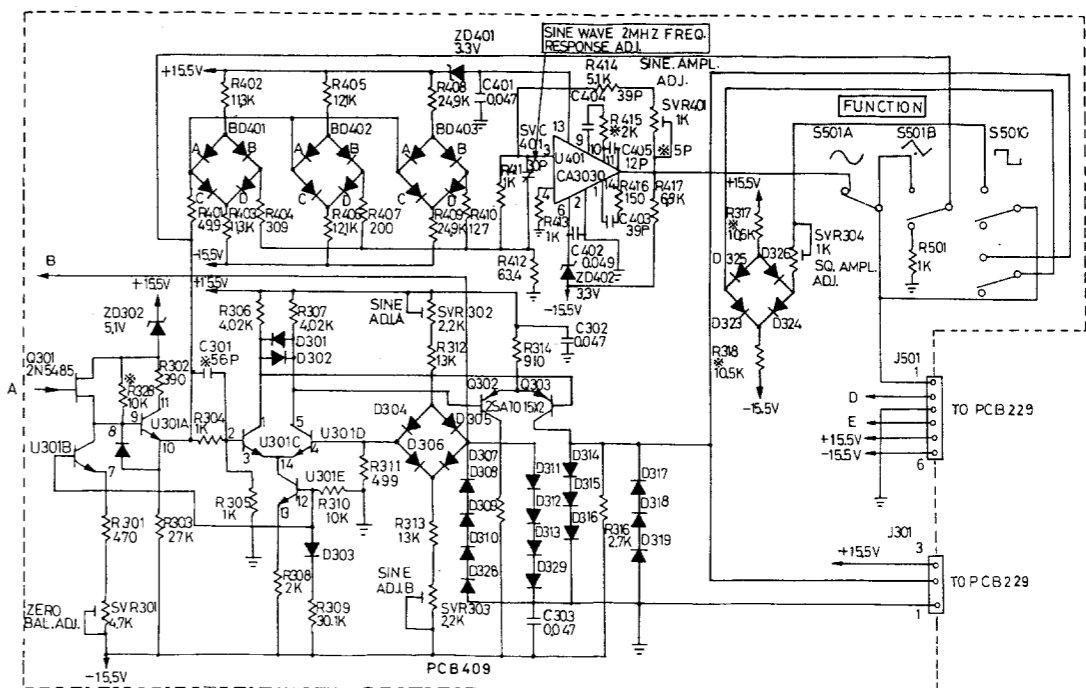
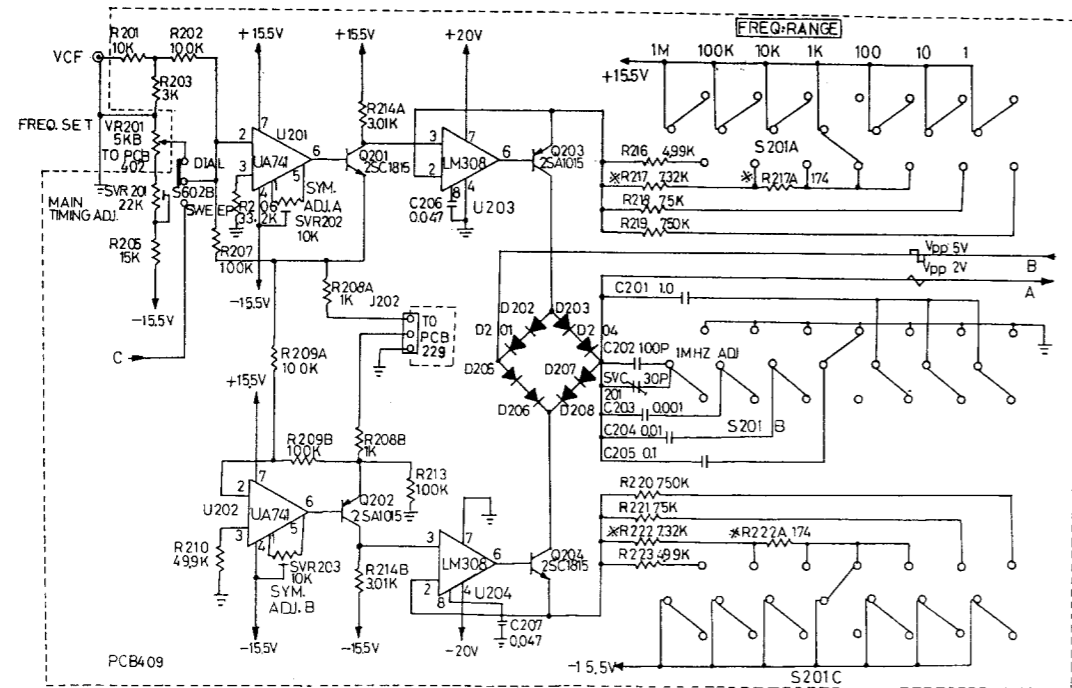
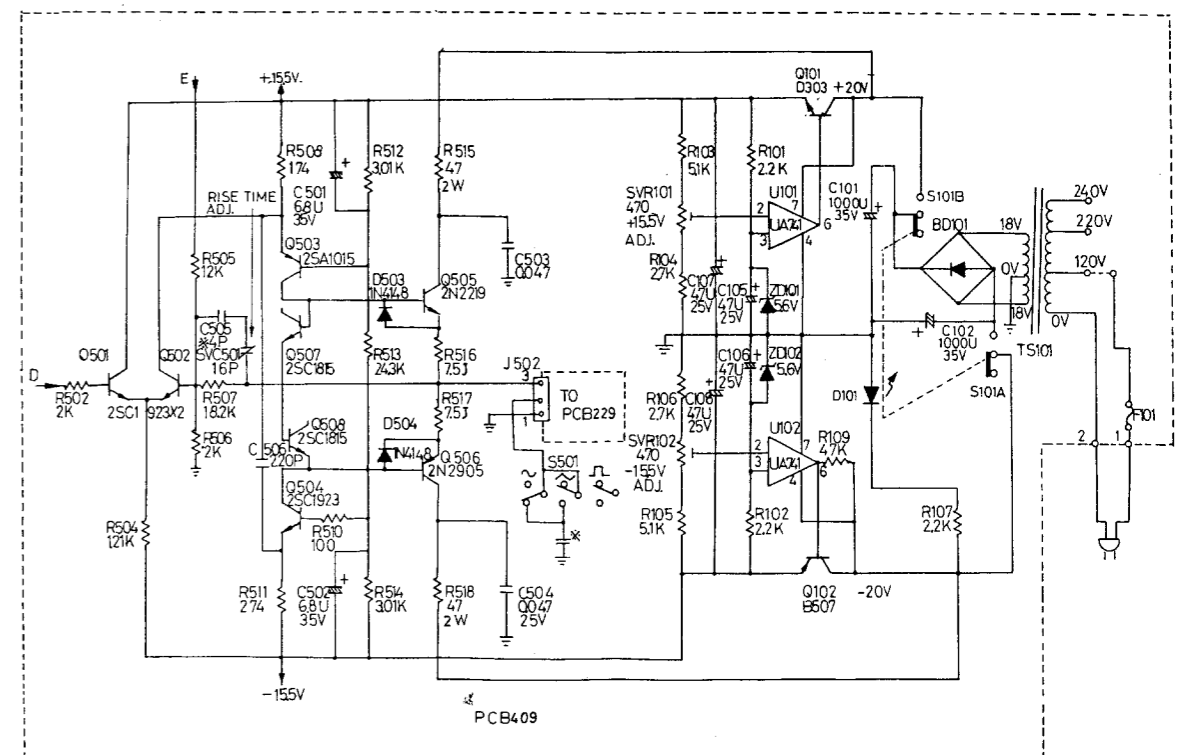
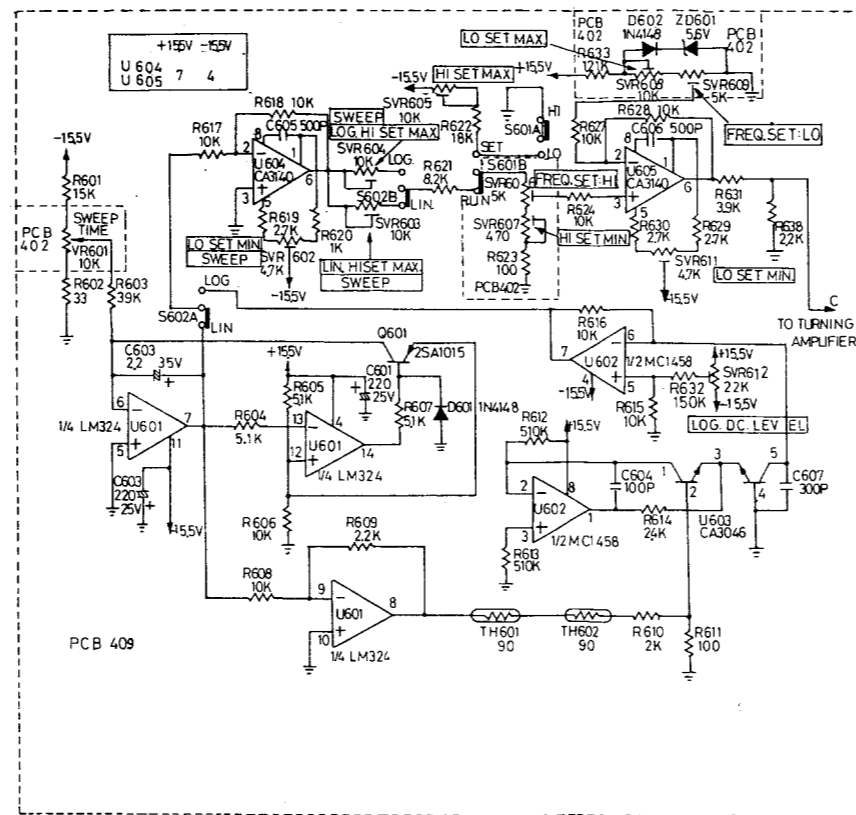
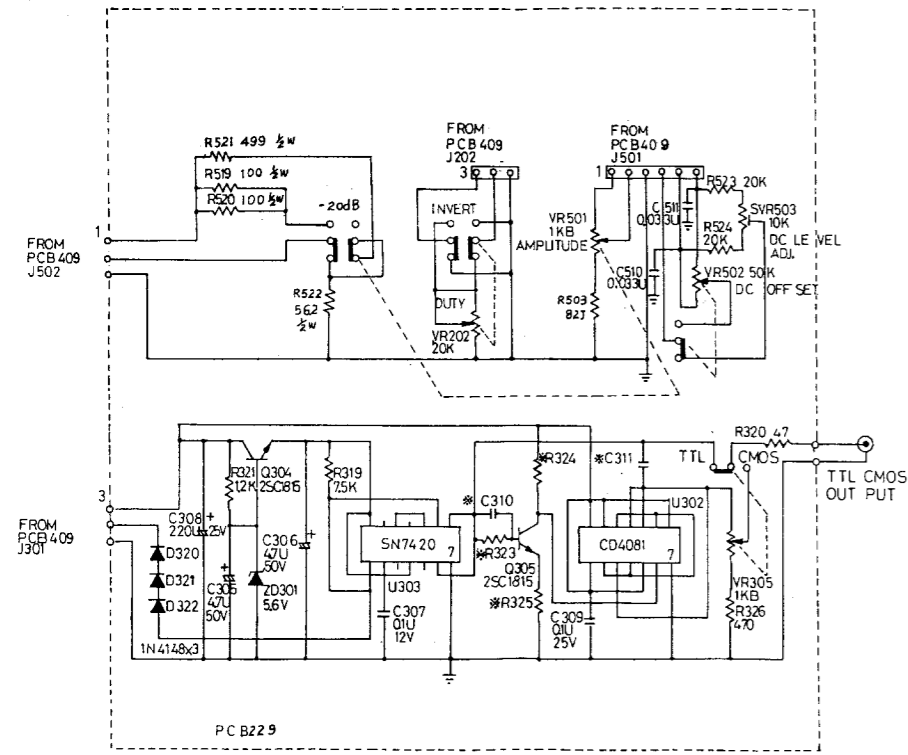
There is a minimum charge for each invoice. Orders will be shipped C.O.D. unless previous open account arrangements have been made or remittance accompanies order. Advance remittance must cover handling, postage or express charges. Specify model and serial number when ordering replacement parts.

ORDER REPLACEMENT PARTS FROM:
Maxtec International Corp., B & K-Precision
 Factory Service Operations
 6470 West Cortland Street
 Chicago, Illinois 60635
 Tel (312) 889-1448



BK PRECISION
MAXTEC INTERNATIONAL CORP.

6470 W. Cortland Street
 Chicago, Illinois 60635



ALL DIODES ARE 1N4148